

grindex | Pump raft for drainage pumps

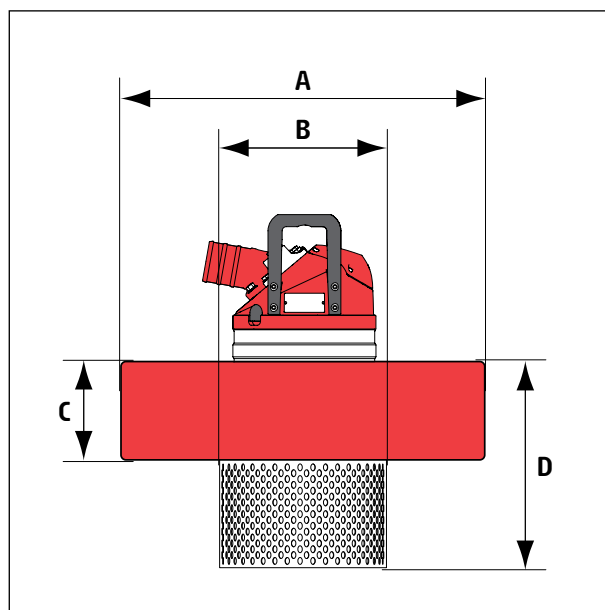
Grindex pump raft is a handy solution to the problem with a drainage pump that digs itself down in sand and mud when operating. The raft keeps the pump floating, minimising the unnecessary wear that comes from pumping sand.

Grindex pump raft is made of oil resistant polyethylene, filled with expanding polystyrene. This raft model is very easy to install and is available in two sizes.

Technical data					
For pump model	Lifting capacity	Outer dimension (A)	Inner dimension (B)	Height (C)	Total height (D)
Micro Macro Minex	25 kg	550 mm	247 mm	200 mm	473 mm
Minette Minor Major	55 kg	820 mm	400 mm	210 mm	584 mm



Pump is not included.



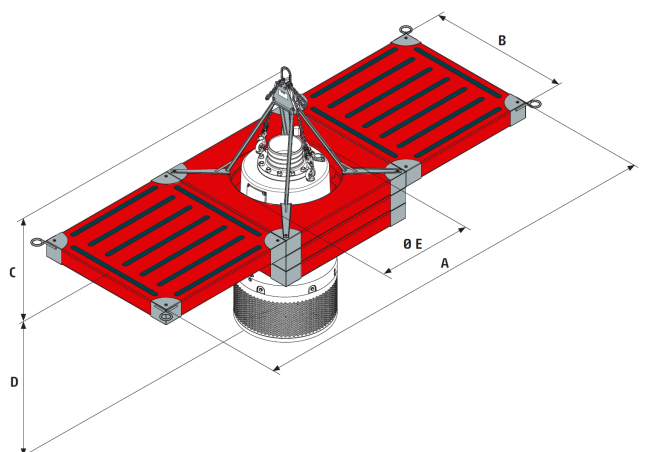
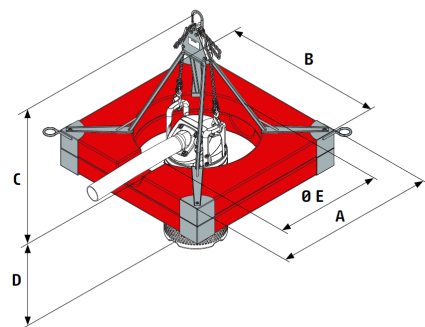
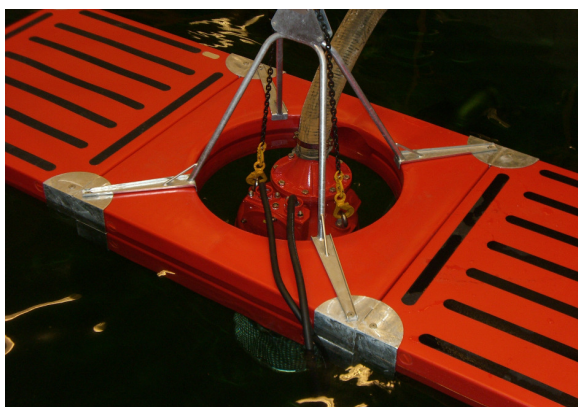
Published: 2009.05

Grindex pump raft system 80-180-460-600 is a handy solution to the problem with a drainage, sludge or slurry pump that digs itself down in sand and mud when operating. The raft keeps the pump floating, minimising the unnecessary wear that comes from pumping sand.

Grindex pump raft system is a modular system where preselected models meet the required lifting capacity for pump models Master, Matador, Maxi & Magnum. The pump raft system offer flexibility with few parts required to easily build a pump raft to meet specific installations. For other Grindex sludge or slurry pumps, check the weight of the pump and chose suitable pump raft system

Grindex pump raft is made of oil resistant polyethylene, filled with expanding polystyrene and the pump lifting frame is made of hot dipped galvanised steel with a certified 2-part lifting chain assembled to it.

Denomination	applicable for pump model	Max Lifting capacity (kg)	Dimension (A x B x C) mm	Depth under water (D) m	Inner diam. raft ring (E) mm
Pump raft system 80	Master	80	1200x1200x800	0,7-0,9	800
Pump raft system 180	Matador	180	1200x1200x800	0,8-1,0	800
Pump raft system 460	Maxi	460	3600x1200x800	1,0-1,2	800
Pump raft system 600	Magnum	600	3600x1200x800	1,3-1,5	800



Pump raft system complete	Pump raft system 80 for Master		Pump raft system 180 for Matador	
Article number	410712		410713	

Bill of material for pump raft system

Pump raft M100 (ring)	410467	1	410467	2
1/4 Connection plate	410652	2	410652	6
1/4 Connection plate with eye bolt	410653	2	410653	2
Threaded rods M8 125 mm, kit	410657	1	-	-
Threaded rods M8 260 mm, kit	-	-	410658	1
Pump lifting frame (max 600 kg)	410648	1	410648	1
Screws for pump lifting frame, kit	410650	1	410650	1
Lifting chain 2-part (max 600 kg)	410649	1	410649	1

Pump raft system complete	Pump raft system 460 for Maxi		Pump raft system 600 for Magnum	
Article number	410714		410715	

Bill of material for pump raft system

Pump raft system for pump model	Maxi	Qty	Magnum	Qty
Pump raft M100 (ring)	410467	2	410467	3
Pump raft M170 (block)	410468	2	410468	2
1/4 Connection plate	410652	4	410652	8
1/4 Connection plate with eye bolt	410653	4	410653	4
2/4 Connection plate	410654	4	410654	4
Threaded rods M8 125 mm, kit	410657	2	410657	2
Threaded rods M8 260 mm, kit	410658	1	-	-
Threaded rods M8 390 mm, kit	-	-	410659	1
Pump lifting frame (max 600 kg)	410648	1	410648	1
Screws for pump lifting frame, kit	410650	1	410650	1
Lifting chain 2-part (max 600 kg)	410649	1	410649	1