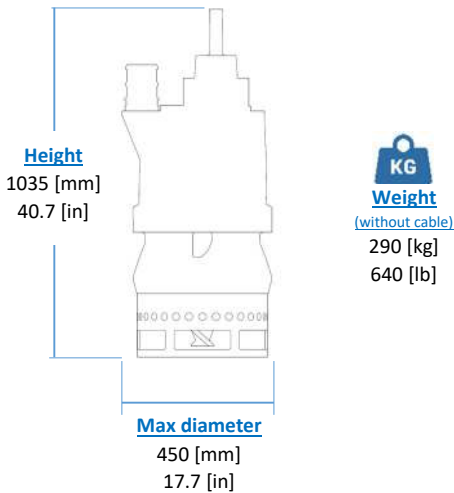
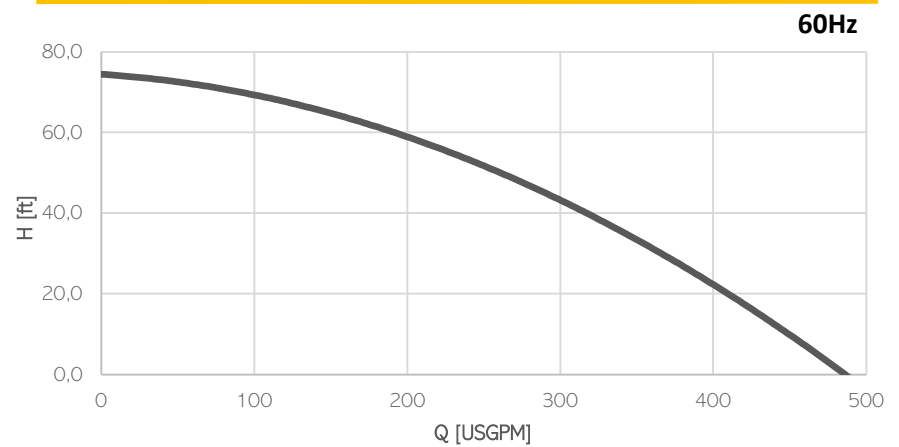
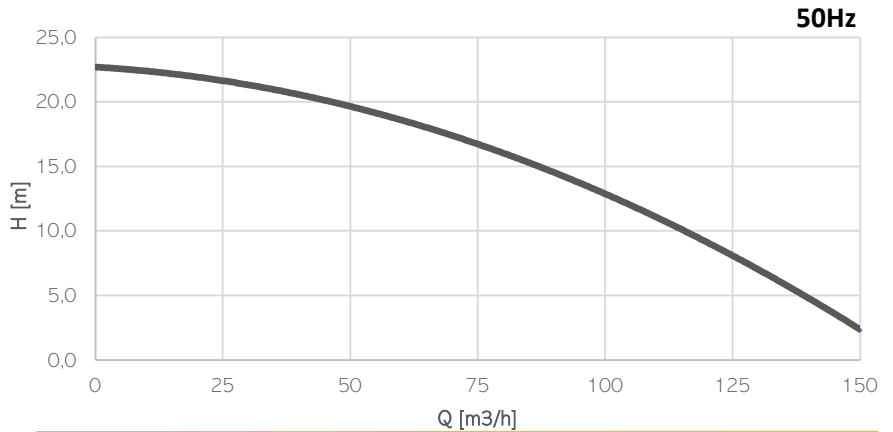


ELECTRIC PUMP

EL10S



Electrical motor

Insulation class H

Cable

1 x H07RN-F 4G10 length 20m

Operating Conditions

- Max liquid temperature 35°C
- Min Submersion depth 380mm

| Model | EL10S | |
|----------------------------------|-----------|------|
| Brake Power [kW HP] | 9 12 | |
| Electric Power [kW HP] | 10.4 14 | |
| Frequency [Hz] | 50 | 60 |
| Efficiency [%] | 32 | 32 |
| Number of Poles | 4 | 4 |
| RPM | 1450 | 1740 |
| Voltage [V] | 400 | 460 |
| Rated Current [A] | 18.8 | 16.2 |
| Solid handling [mm in] | 25 1 | |
| Discharge (Hose adaptor) [mm in] | 100 4" | |

Materials

| Part | Standard |
|-----------------------|--------------------------------|
| Casing | Cast Iron EN-GJS500 |
| Body | Cast Iron EN-GJS500 |
| Wear Parts | High chrome EN-GJN-HV600 (CH6) |
| Minimum hardness [HB] | 550 |
| Main shaft | High tensile 39NiCrMo3 |
| PH Range | 5-10 |

Seals and lubricants

| Version | STANDARD |
|---------------|------------|
| Motor Side | MECHANICAL |
| Impeller Side | MECHANICAL |
| Oil type | ISO32 |