

# Hydraulic pump

## HY85-160HC

### PUMP SPECIFICATIONS

Max Capacity [m <sup>3</sup> /h]	600
Max Head [m]	40
Impeller diameter [mm]/type	405 /3 blades closed
Flanged bore size [DN/PN]	DN250/PN10
Solid handling [mm]	90
Weight [kg]	1100

### HYDRAULIC MOTOR

Motor displacement [cc]	160
Max. oil flow rate[l/min]	240
Max. pressure [bar]	300
Power [kW-HP]	120 - 160
Speed [RPM]	1450

### MATERIALS

Casing	Spheroidal cast iron EN-GJS500-7 (EN1563)
Motor housing	Cast iron EN-GJL-250 (EN 1561)
Wear parts	High chrome EN-GJN-HV600 (XCr18) (EN12513)
Main shaft	High tensile steel 39NiCroMo3 (AISI 9840)

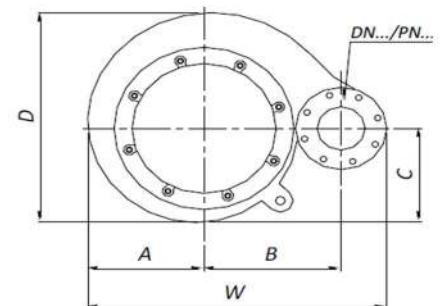
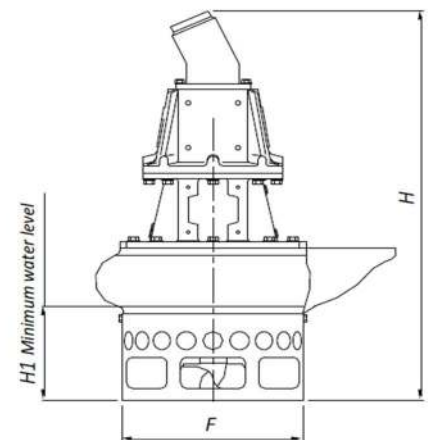
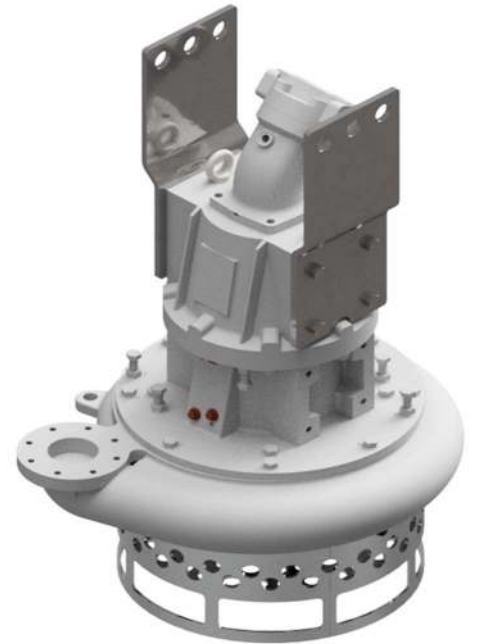
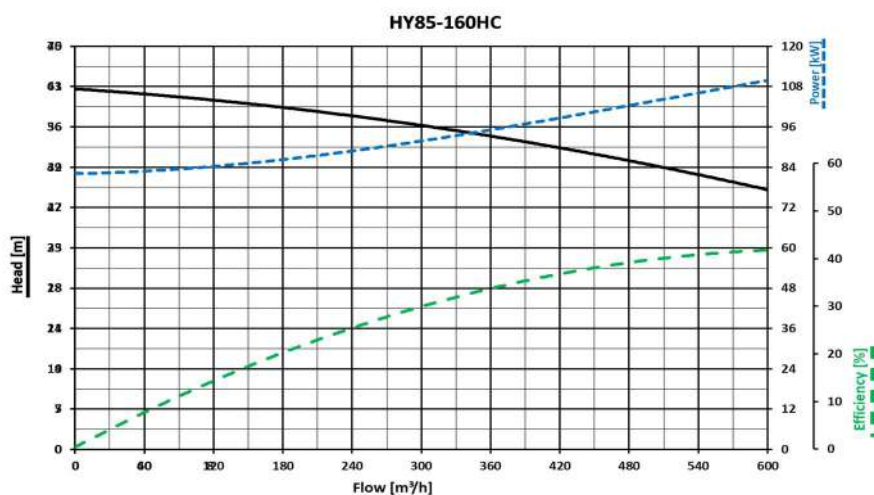
### SEALS / LUBRICANT

Motor side seals	2 lip seals (BUNA)
Impeller side seals	5 lip seals (3 BUNA + 2PTFE) + 1 V-ring (TPU)
Oil type	ISO 32

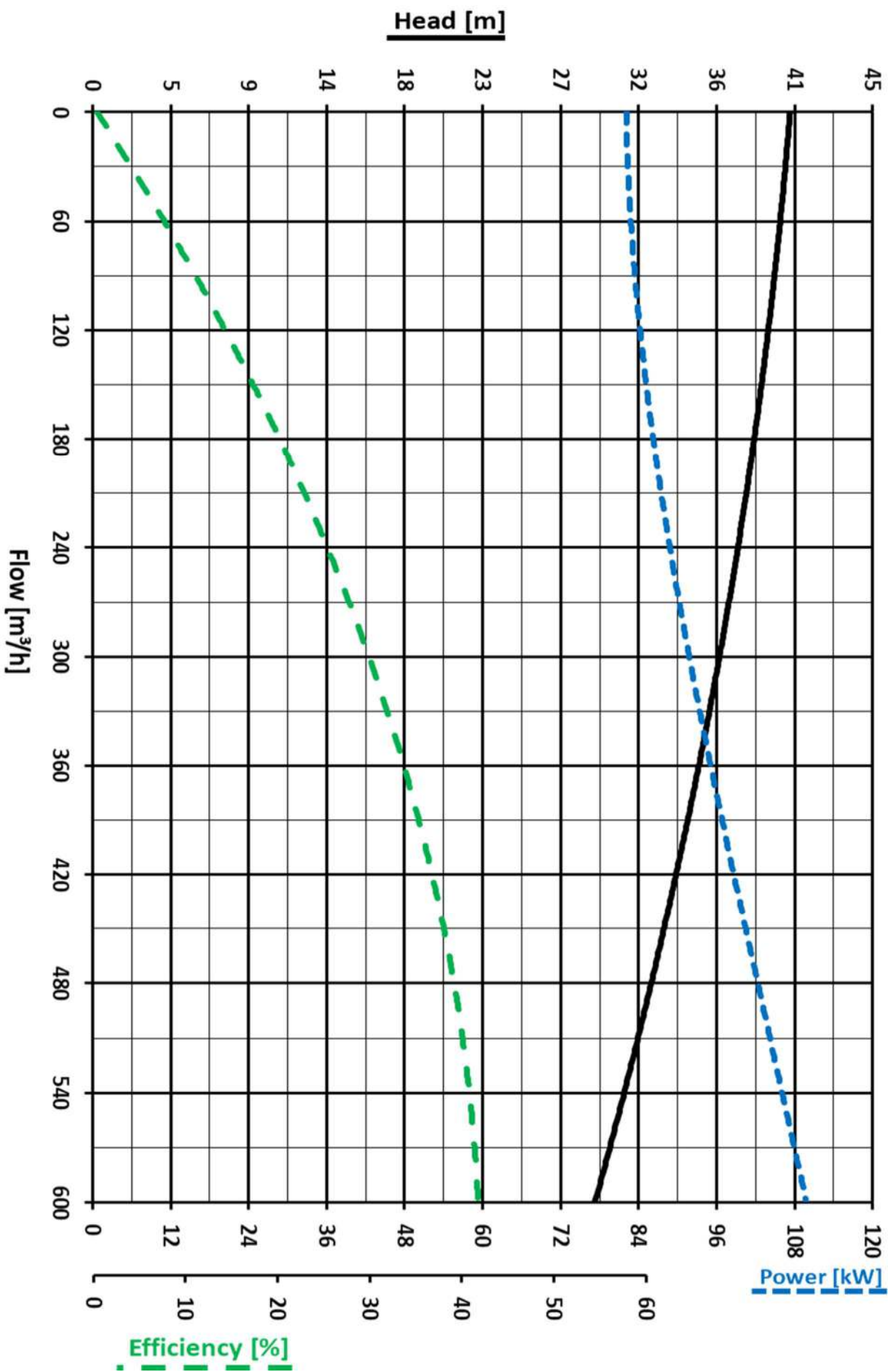
### DIMENSIONS [mm]

H	W	D	F	H1	A	B	C
1470	1165	1020	548	326	449	485	449

### PERFORMANCE CURVES



# HY85-160HC



We reserve the right to make changes without notice